

Stainless Steel Face Plate and Striker

1,350kg (3,000lb) - factory tested

Compact Cast Aluminium Body

35mm overall depth

Deep Jaw

Accepts 19.05mm latch bolt

Low Current Consumption

243mA - 12v DC continuous ($\pm 15\%$)

187mA - 24v DC continuous ($\pm 15\%$)

Patented Locking System

Shear line technology - incorporating 3 case hardened locking pins

Fire Safety

20 minute fire rating

Easy Installation

Stick on/Peel off template

Options

Face plates in brass and aluminium

ANSI short, ANSI long, ANSI slim long and

Sashlock - UK & Euro

Extension lips - 25mm and 50mm (pre-drilled strike body)

Rebate plates - standard 13mm and Chubb 3R35

Lipless - special order

Weather resistant - IP56 protection

Spares

Replacement pin and spring kit

Approvals

UL1034 (highest level) Tested to 10^6 cycles

CE - BS EN 50081-1 and BS EN 50082-1

BS 5872. PAS 24 (Security)

AC Compatibility (with RM1)

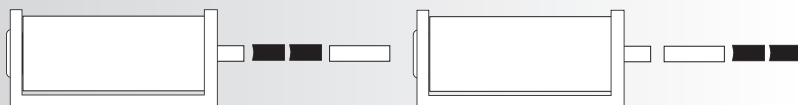
The Rectifier Sounder Module enables operation with AC voltages.

The sounder can be set for either buzzing or silence with both AC and DC voltages.

The IEC RM1 unit is continuously rated - max 1 amp.

UNIQUE TO TRIMEC & SO SIMPLE TO DO!

Changing the sequence of the pins changes the function of the strike



Power to Open/Fail Secure

Power to Lock/Fail Open

NEW



The TRIMEC ES110 series is an ANSI-style Security Strike complete with stainless steel short or long face plate for use in metal or timber applications.

Shown above - new BS ANSI slim long and Lipless AS ANSI short models.



First Choice for Locking Solutions

T 01202 676262 F 01202 680101 E info@iecltd.co.uk W www.iecltd.co.uk

Dimensions are shown in millimetres

Illustrated ES110 ANSI short metal door preparation

(BS - Wide) ANSI long faceplate 202 x 36.5

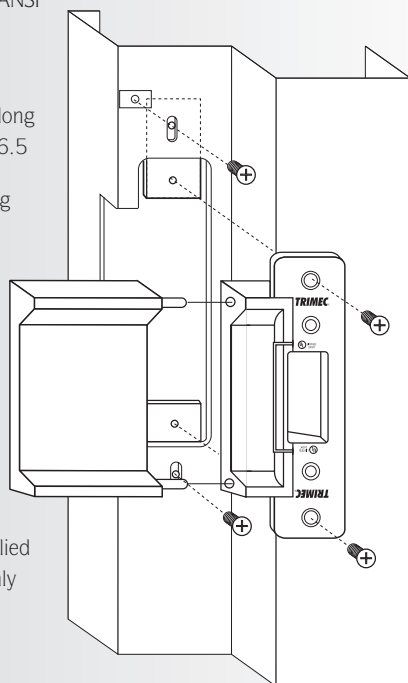
(BS) ANSI slim long faceplate 202 x 31.6

(AS) ANSI short faceplate 124 x 31.6

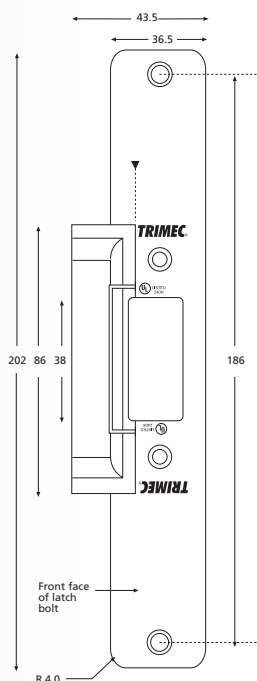
25mm & 50mm Extension Lips are available as extras

Mounting kit supplied with AS models only

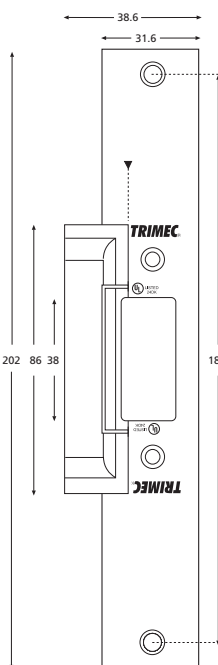
Note: For detail of installation see instructions/template



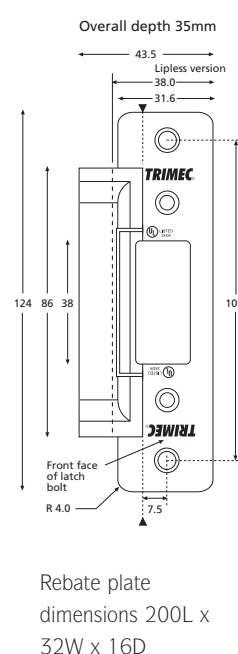
(BS-Wide) ANSI Long Faceplate



(BS) ANSI Slim Long Faceplate



(AS) ANSI Short Faceplate



Rebate plate dimensions 200L x 32W x 16D

Lock Compatibility Accepts 19.05mm latch bolt when fitted with 3mm door gap

COMPANY	MODEL	COMPANY	MODEL
Adams-Rite	4710, 4720, 4750	IEC	SEU511, SEU512, SEU513, SEU514.
ASEC	AS1094, AS1095		5245701 to 5245706, 5245101 to 5245104
ASSA	3059, 3061, 3062, 8516, 8517, 8518, 8519, 8760, 8761, 8762, 8764	Legge	8767, 8157N, E900
Chubb	3R35	Union	2332, 2341, 2349, 2370, 2379
		Viro	8516, 8517, 8518, 8519
		Yale	3600, 3610, 4103, 6025, 6070

Ordering Information

DESCRIPTION	FUNCTION	CODE	FUNCTION	CODE
ANSI Short*				
12v DC	Fail Open - Power to Lock	TS111AS	Fail Secure - Power to Open	TS112AS**
24v DC	Fail Open - Power to Lock	TS113AS	Fail Secure - Power to Open	TS114AS**
ANSI Slim Long*				
12v DC	Fail Open - Power to Lock	TS111BS	Fail Secure - Power to Open	TS112BS**
24v DC	Fail Open - Power to Lock	TS113BS	Fail Secure - Power to Open	TS114BS**
ANSI Long (Wide)*				
12v DC	Fail Open - Power to Lock	TS111BS-W	Fail Secure - Power to Open	TS112BS-W**
24v DC	Fail Open - Power to Lock	TS113BS-W	Fail Secure - Power to Open	TS114BS-W**
Extension Lip	25mm	EX1125	50mm	EX1150
Rebate Plate	Standard 13mm silver anodised	TSS1113	Chubb 3R35 - left hand	TSS1113L
	13mm polished brass	TSS1113B	Chubb 3R35 - right hand	TSS1113R
Brass Face Plates	ANSI short polished brass	PL0015B		
	ANSI long (wide) polished brass	PL0019B		
Sashlock Face Plate	UK version - right-handed	TSS110SLUKRH	Euro Din version - right-hand	TSS110SLEURH
	UK version - left-handed	TSS110SLUKLH	Euro Din version - left-hand	TSS110SLEULH
Pin and Spring Kit	Replacement	ES11P	Weather resistant replacement	ES11PWR
Rectifier Sounder Module	For AC operation	IEC-RM1		

*Standard face plate is stainless steel. Anodised aluminium face plate is available by deleting 'S' from code eg TS111A.

Lipless version - add '0' to code eg TS111AS-0. **AC compatible strike - add RM1 to code e.g. TS112AS-RM1.

Weather resistant version - add 'WR' to code eg TS111AS-WR.

Note: ES100 previous model (overall depth 30mm) available to special order.



International Engineering Company Ltd Harwell Rd Nuffield Estate Poole BH17 0BD Great Britain
The Distributor with the difference

Registered in England 1925337
© April 2005 IEC. All rights reserved. All dimensions are nominal and subject to tolerances



T 01202 676262
F 01202 680101
E info@iecltd.co.uk
W www.iecltd.co.uk