

Thumbturns

Europrofile and Round Types

A T S



ASSA ABLOY

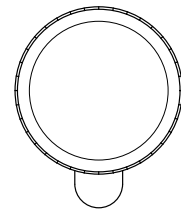
Function

A range of 17mm Europrofile Cylinders c/w Thumbturns and round screw-in Mortice Thumbturns provide **unrestricted exit without the requirement for a lever or paddle handle**. The Europrofile models are finished in Bright or Satin Chrome and are 30-30 form as standard although special sizes can be ordered. The round screw-in models are available in Satin Aluminium, Bronze and Black anodised finishes, and are one size only, which will cater for door thicknesses of 45mm to 48mm (if a thinner trim ring is used).

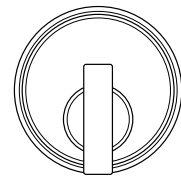
Note: If a deadlatch is being used be sure to specify the mortice version without ball & spring (4067-01-628-00).

Specifications

Overall Sizes:	33mm x 35mm x 84mm (Europrofile) 35mm x 35mm x 45.5mm (Round Mortice).
Diameter:	17mm (Europrofile) 29mm barrel (Round Mortice).
Material:	Brass, Nickel plated (Europrofile) Brass (Round Mortice).

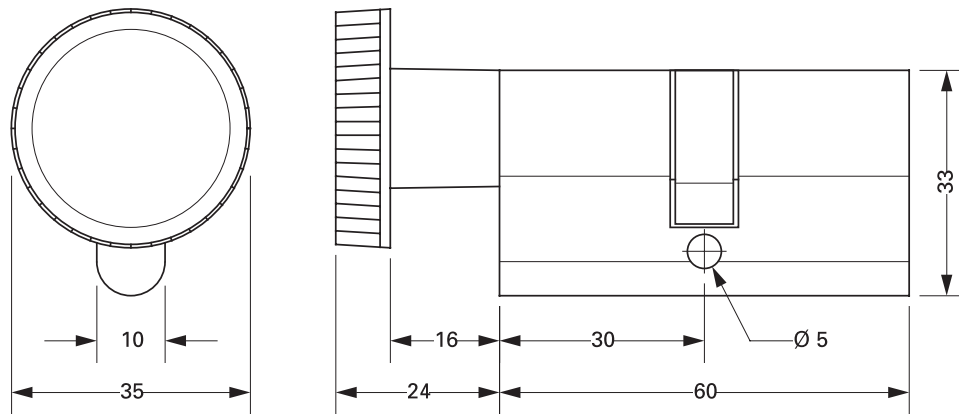


Sofi Europrofile
Thumbturn Cylinder

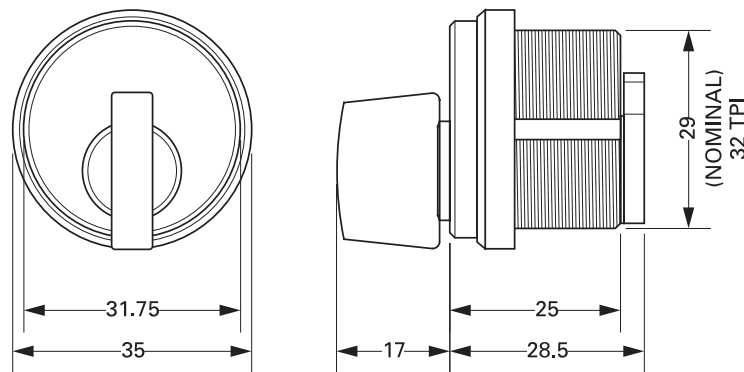


4067 Mortice
Thumbturn Cylinder

Dimensions



Sofi Europrofile Thumbturn Cylinder



4067 Mortice Thumbturn Cylinder

Ordering Codes

61-30-30-1-1	Sofi Europrofile Cylinder c/w Thumbturn KD
61-30-30-1-1-01	Sofi Europrofile Cylinder c/w Thumbturn KA
61-30-30-1-1-2	Sofi Cylinder Europrofile c/w Thumbturn KA2
4067-01-313	Mortice Thumbturn Bronze Finish
4067-01-335	Mortice Thumbturn Black Finish
4067-01-605	Mortice Thumbturn Gold Finish
4067-01-626	Mortice Thumbturn Chrome Finish
4067-01-628	Mortice Thumbturn SAA Finish
4067-01-628-00	Mortice Thumbturn SAA Finish without Ball & Spring for use with Deadlatches
4067-02-313	Mortice Thumbturn Bronze Finish for use with 4070 Series (c/w modified cam)
4067-02-628	Mortice Thumbturn SAA Finish for use with 4070 Series (c/w modified cam)